

## ADDENDUM # 4

August 29, 2017

### PROJECT

**Bonito Lake Restoration  
Public Works Bid No. 2017-009**

OWNER  
City of Alamogordo

ENGINEER  
Bohannon Huston, Inc.

This addendum forms a part of the Contract Documents and modifies the original specifications and drawings dated May 19, 2017. Acknowledge receipt of this addendum in the space provided in the Bid Form. Failure to do so may subject the bidder to disqualification.

### **I. GENERAL CLARIFICATIONS**

1. The answer to question #24 on addendum 3 indicated that the total pipe flow capacity needs to be 122 CFS. This flow rate is correct. It is calculated using DR32.5 DIPS pipe dimensions and a surcharge head of 10 feet behind the coffer dam.

### **II. BIDDER'S QUESTIONS**

1. NONE

### **III. CONTRACT DOCUMENTS CORRECTIONS/MODIFICATIONS**

1. Section 2 INSTRUCTIONS TO BIDDERS, Paragraph 24.0 AWARD OF THE CONTRACT

Replace the last paragraph in its entirety with the following:

If the Contract is to be Awarded, OWNER will give the Successful BIDDER a Notice of Award within seventy-five (75) days after the day of the Bid Opening. BIDDERS are hereby notified that, if Awarded the Contract, they MAY NOT assign payments due under the Award without permission of the OWNER. Further, BIDDERS are notified that consent to such assignments will be rarely granted. All provisions for approval of alternate debris disposal sites must be obtained prior to the Notice of Award.

2. Section 3.0 BID SCHEDULE. A revised bid schedule is attached. Use this form to submit as part of the bid proposal.

**IV. TECHNICAL SPECIFICATIONS CORRECTIONS/MODIFICATIONS**

1. NONE

**V. CONSTRUCTION DRAWINGS CORRECTIONS/MODIFICATIONS**

1. DWG C-05 Cofferdam Flow Diversion Sections – Replace this sheet with the Attached Revision 1.

**VI. ATTACHMENTS**

1. Section 3.0 BID SCHEDULE
2. DWG C-05 Cofferdam Flow Diversion Sections

All bidders shall acknowledge receipt of this addendum in the appropriate location on the BID FORM.

Sincerely,

Robert P. Richardson, PE  
Senior Vice President

### SECTION 3 - BID SCHEDULE

BIDDER agrees to perform all of the Work described in the specifications and shown on the Plans for the following unit or lump sum prices.

#### BONITO LAKE RESTORATION Public Works Bid No. 2017-009

BID ITEM	DESCRIPTION	UNIT	QTY	UNIT PRICE	EXTENSION
1	<b>Mobilization/Demobilization</b> – General overhead, bonds insurance, project management, maintaining site access during construction, contractor staging, SWPPP, surveying, staking and all other general project requirements.	LS	1		
2	<b>Coffer Dam:</b> Construct driven steel sheet pile coffer dam including selective clearing, access road, end sections, diversion inlet box overflow weir, downstream erosion control and all appurtenances. Complete in place. Installed and all materials.	LS	1		
3	<b>Flow Diversion Pipeline:</b> Install 48" HDPE outfall pipe from coffer dam to spillway including subgrade preparation, pipe, access tees, pipe anchorage, and all appurtenances. Complete in place, installed and all materials.	LF	3,600		
4	<b>Excavation and Debris Removal:</b> Remove existing debris and sediments including all excavation, dewatering, transport, haul route maintenance, traffic control, disposal site fees and processing, rough grading and all appurtenances. Complete in place, installed and all materials.	CY	247,000		
5	<b>Disposal Site Reseeding:</b> Reseed new finished surface of disposal site area. Complete in place, installed and all materials.	AC	50		
6	<b>Force Account Work Allowance:</b> Complete restoration efforts when normal work programs are disrupted by unordinary stormwater events.	ALW	1	\$150,000	\$150,000
7	<b>Inspection Testing Allowance:</b> Materials testing for asphalt, concrete and soils, as required by the contract documents.	ALW	1	\$25,000	\$25,000
<b>Total Base Bid (Items 1-7)</b>					

**BONITO LAKE RESTORATION  
Public Works Bid No. 2017-009**

<b>Bid Alternates</b>					
A-1	<b><u>Additional Excavation and Debris Removal:</u></b> Remove existing debris and sediments beyond the base bid quantity, including all excavation, dewatering, transport, haul route maintenance, traffic control, disposal site fees and processing, rough grading and all appurtenances. Complete in place, installed and all materials.	CY	334,000		
A-2	<b><u>Dam Face Repairs:</u></b> Construct concrete repairs to dam including demolition of existing cap, existing surface preparation, reinforcement, concrete resurfacing, new concrete cap and fencing and all appurtenances. Complete in place, installed and all materials.	LS	1		
A-3	<b><u>Drain System Improvements:</u></b> Remove and replace existing valves, new pipe and fittings, install new flow control valve and box, install new parshall flume and box, extend existing metal walkway, and all appurtenances. Complete in place, installed and all materials.	LS	1		
A-4	<b><u>CCTV Pipe Inspections:</u></b> Provide CCTV camera inspection of 2-10" diameter and 2-16" diameter discharge pipes between intake tower and valve house. Complete in place, installed and all materials.	LF	1200		
A-5	<b><u>Intake Tower Improvements:</u></b> Install concrete repairs, new tower landing and handrail, inlet ports, new inlet valves, stems and handwheels, depth gauge and all appurtenances. Complete in place, installed and all materials.	LS	1		
A-6	<b><u>Pedestrian Catwalk to Intake Tower:</u></b> Install new steel frame pedestrian catwalk including excavation, foundations, handrails, security fencing, and all appurtenances. Complete in place, installed and all materials.	LS	1		
A-7	<b><u>Sedimentation Pond:</u></b> Install new erosion control sedimentation pond including selective clearing and demolition, excavation, subgrade preparation, foundations, wire tied gabions, over flow weirs, access ramps, and all appurtenances. Complete in place, installed and all materials.	LS	1		
<b>TOTAL BID ALTERNATES (Items A-1 - A-7)</b>					
The project award will be made on the <b>Base Bid Amount</b> . Bid alternates are listed in no order of priority. Bid items and alternates will be included in the project based on funding available.					

**NOTE: Gross receipts tax shall be paid with each pay request as it is submitted at the current tax rate for Lincoln County, New Mexico (Bonito Lake– 5.50%)**

**BONITO LAKE RESTORATION  
Public Works Bid No. 2017-009**

Major Items and Products Used in the Preparation of Bid

- A. In order to expedite the canvassing of bids and to ensure that the OWNER shall receive the full benefit from compliance with the design intent of the Project, certain major items and products have been specified to establish minimum standards.
- B. All Bidders shall complete the products listing for the items shown by indicating if those items are being supplied as specified or if a different supplier/manufacturer is included as part of the Bid proposal. If a different supplier/manufacturer is included list the name of the manufacturer.
- C. It is not the intent of the Contract Documents to contain proprietary, exclusionary, or discriminatory requirements other than those based on performance. The Engineer shall be the sole authority for determining conformance of a proposed substitution item or product with the Contract Documents. Under no circumstances will the Engineer be required to prove that a substitute equipment item or product is not equal to the specified equipment item or product.
- D. The following listing must be completed by the contractor and submitted with the Bid proposal:

SPEC SECTION	NAME	BASIS OF BID
02220	Disposal Site Fill Placement and Compaction	Disposal Site Location (circle one) Capitan Gap      Copper Mountain      Other
02724	HDPE Pipe Large Diameter	Outfall pipe configuration for 122 cfs (circle one) 48" pipe per plan      Other
02853	Pedestrian Bridges	Manufacturer
11210	Metering Manhole	Manufacturer
15100	Valves for Outlet Works	Manufacturer
15100	Knife Gate Valves	Manufacturer

To the City of Alamogordo, New Mexico (hereinafter called "OWNER"), the undersigned, (hereinafter called "BIDDER"), in compliance with your invitation for bids for the construction of **BONITO LAKE RESTORATION**, Public Works Bid No. 2017-009 having carefully examined the Contract Documents and the site of the proposed Work, and being familiar with all of the conditions surrounding the construction of the proposed project including the availability of materials and labor, hereby proposes to furnish all labor, materials, and supplies, and to construct the Project in accordance with the Contract Documents, within the time set forth herein, and at the unit prices stated above. These prices are to cover all expenses incurred in

**BONITO LAKE RESTORATION  
Public Works Bid No. 2017-009**

performing the Work required under the Contract Documents of which this Bid Schedule is a part. Quantities shown in this Bid Schedule are estimated and actual payment will be made on the basis of the unit bid prices for confirmed quantities as constructed.

BIDDER acknowledges receipt of the following addenda:

---

---

**CALLOUT NOTICE ACKNOWLEDGMENT:**

---

Authorized Signature of Bidder

---

Business Name of Bidder

---

Authorized Signature of Bidder

---

Printed Name and Title of Authorized Signature

---

BIDDER'S New Mexico Contractor's License No. & Classification

---

Address

---

Telephone

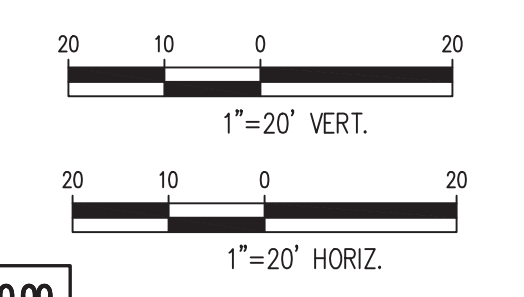
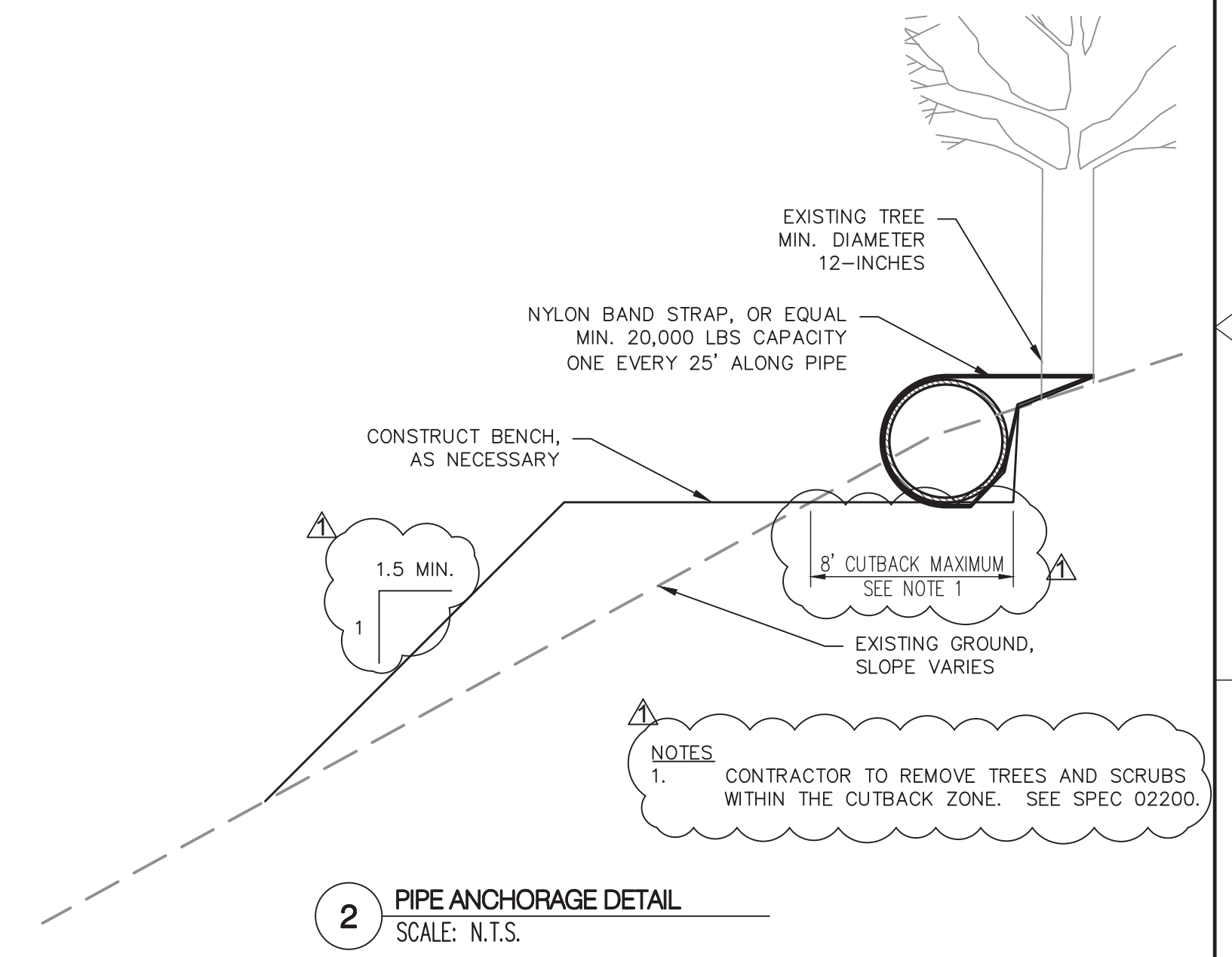
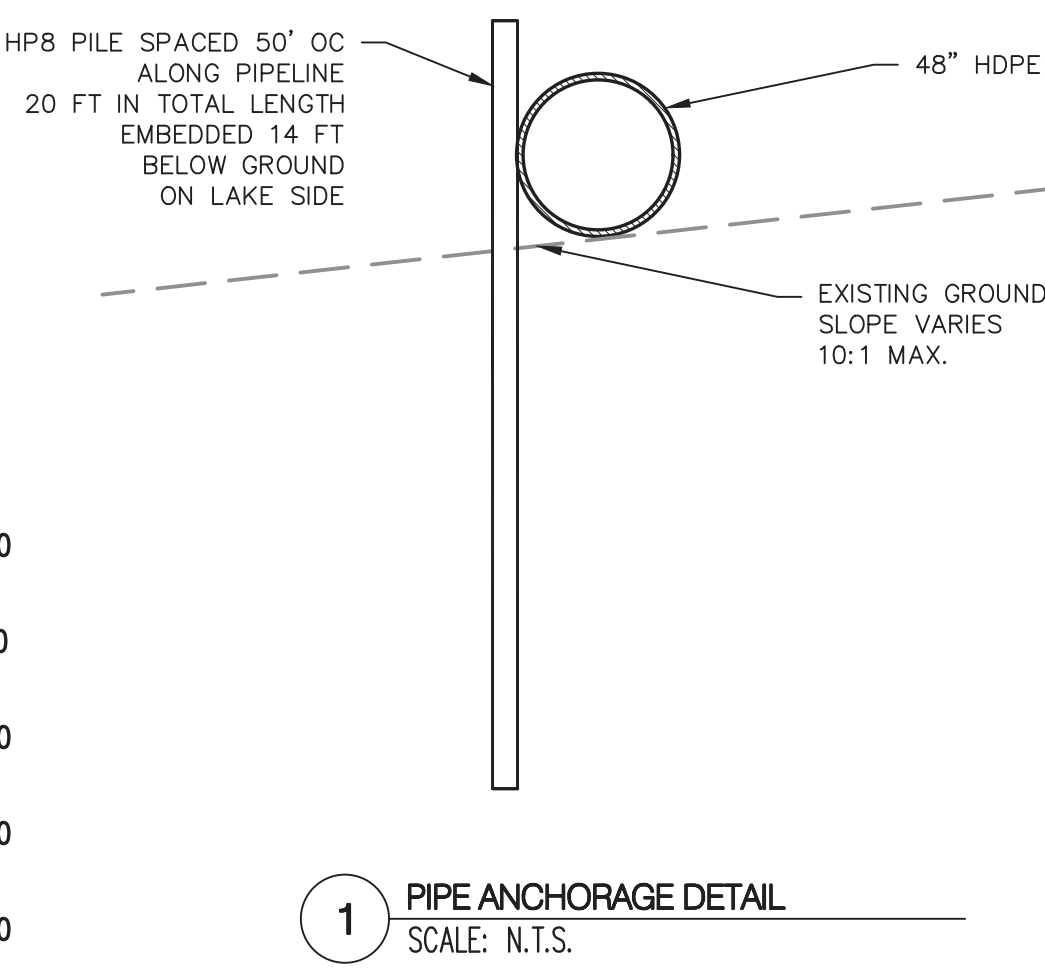
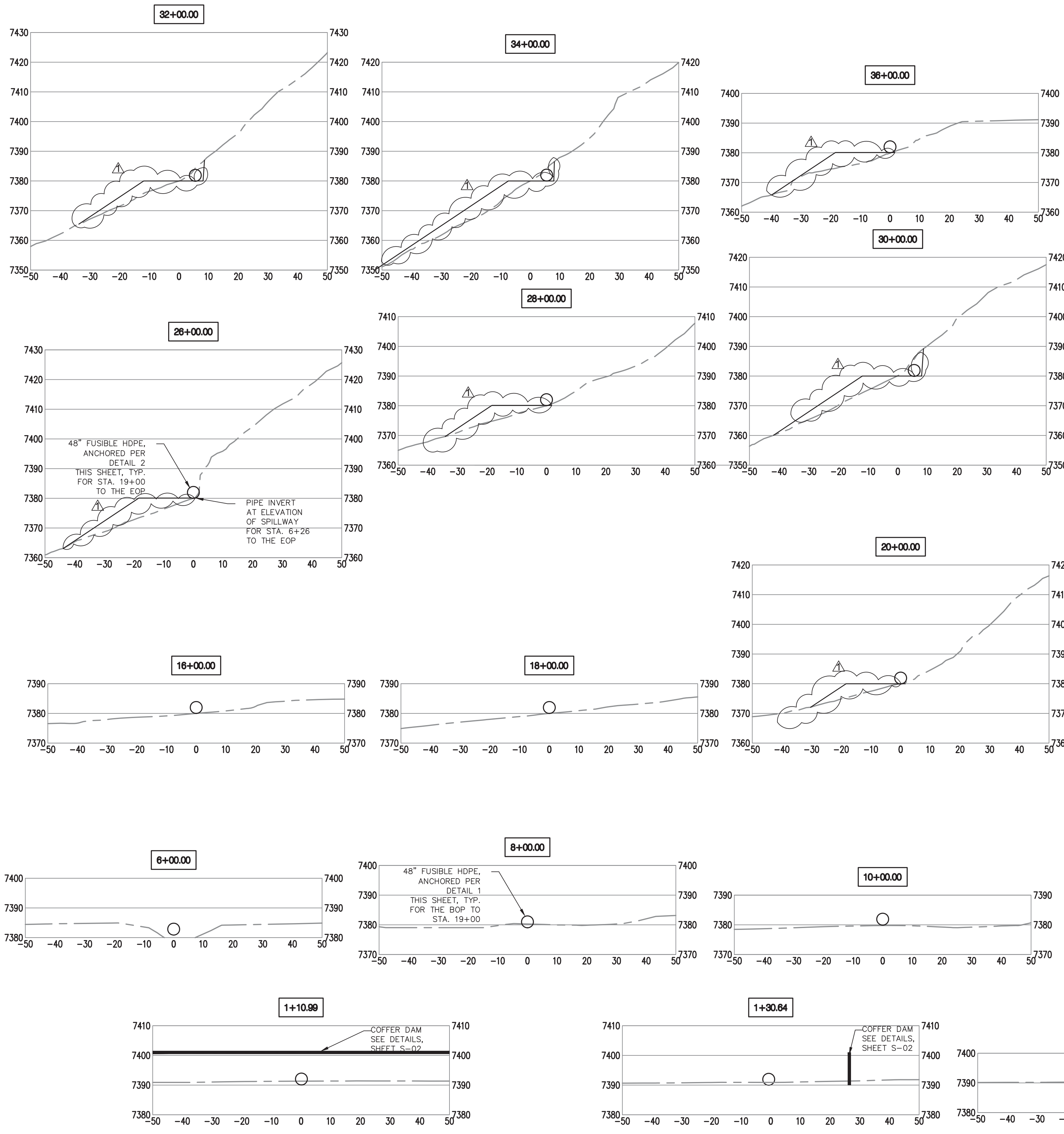
---

Fax

---

e-mail

(SEAL) If Bid Proposal is submitted by a corporation.



P:\2016\0031\001\Drawings\20160031\_00-05\_Coffer Dam-Floodwalls\Sections.dwg  
 August 23, 2017 - 2:47pm  
 SLD/MS

REV. NO.	DATE	DRWN	CHKD	REMARKS
08.17	AC	SA		ADDENDUM NO. 4: BENCH CUT SECTION REVISIONS

DESIGNED BY: AC  
 DRAWN BY: LsM  
 SHEET CHK'D BY: SA  
 CROSS CHK'D BY:  
 APPROVED BY: RPR  
 DATE: JUNE 2017

**CDM Smith**  
 6000 Uptown Boulevard, N.E. Suite 200  
 Albuquerque, NM 87110  
 Tel: (505) 243-3200

**Bohannon & Huston**  
 www.bhinc.com  
 800.877.5332

CITY OF ALAMOGORDO  
 BONITO LAKE RESTORATION

PROJECT NO. 20160031  
 FILE NAME:  
 DWG. NO. C-05R1

COFFER DAM  
 FLOW DIVERSION SECTIONS